

Description

The wireless Carbon Monoxide detector AW-D125L is an intelligent detector which can be configured with Asenware addressable fire alarm control panel. It can provide open area CO detection without wiring.

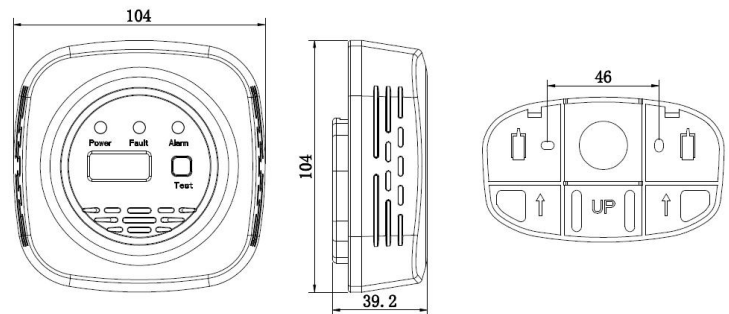
High-capacity non-replaceable battery is installed in the detector that long service life can be provided.



Features

- ✓ Low Standby current
- ✓ High-capacity batteries
- ✓ LCD display
- ✓ Wide detection range
- ✓ Low battery/Fault indication
- ✓ 10 Years sensor lifetime
- ✓ Meets all requirements of standard EN 50291-1-2018

Dimensions (mm)



Technical Specification

Model	AW-D125L
Main Voltage	3Vdc Battery (non-removable)
Operating Frequency	433MHz (418MHz to 448MHz)
Operating current	Standby status ≤ 25uA, Alarm status ≤ 25mA
Co detection range	60~90 minutes @ 50ppm 10~40 minutes @ 100ppm
Alarm Level	Within 3 minutes @ 300ppm
Materials and colors	ABS, White
Sensor lifetime	10 Years
Operating Temperature	Class A temperature range: -10 to 40°C (14~104°F) Humidity: 5 to 95% RH, non-condensing
Size	104mm*104mm*39.2mm
Weight	About 175g
Standard	EN 50291-1-2018